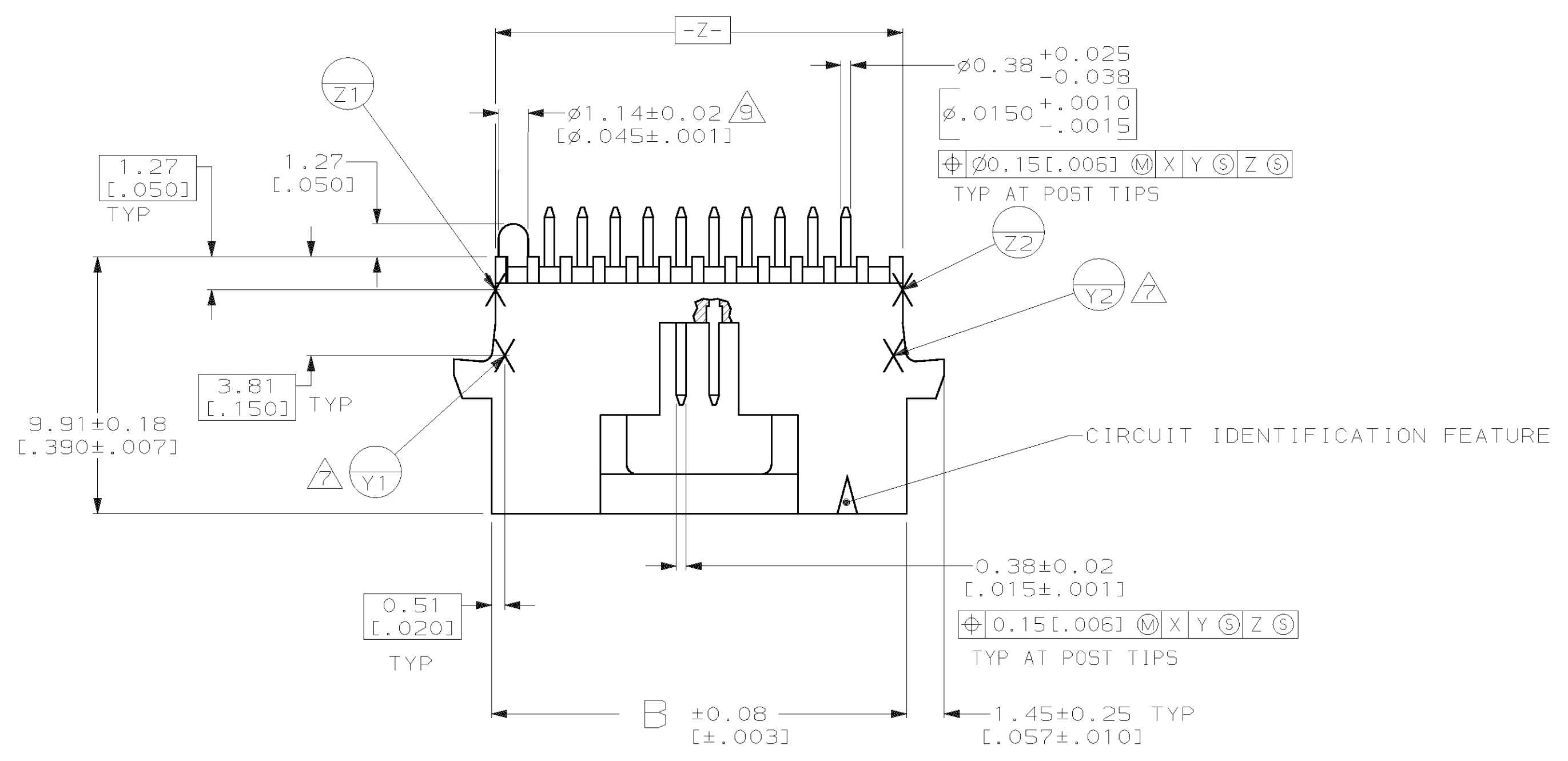
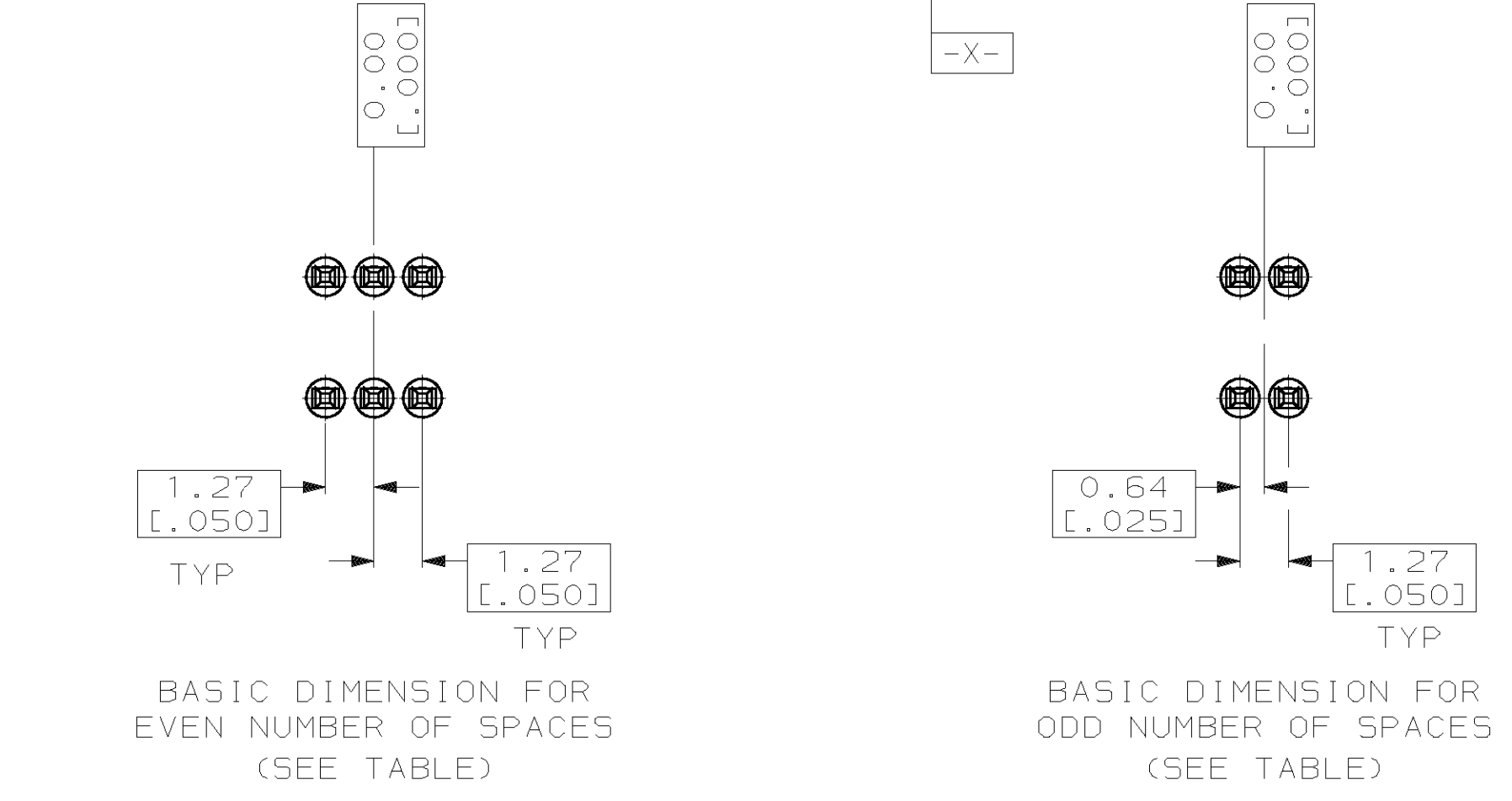
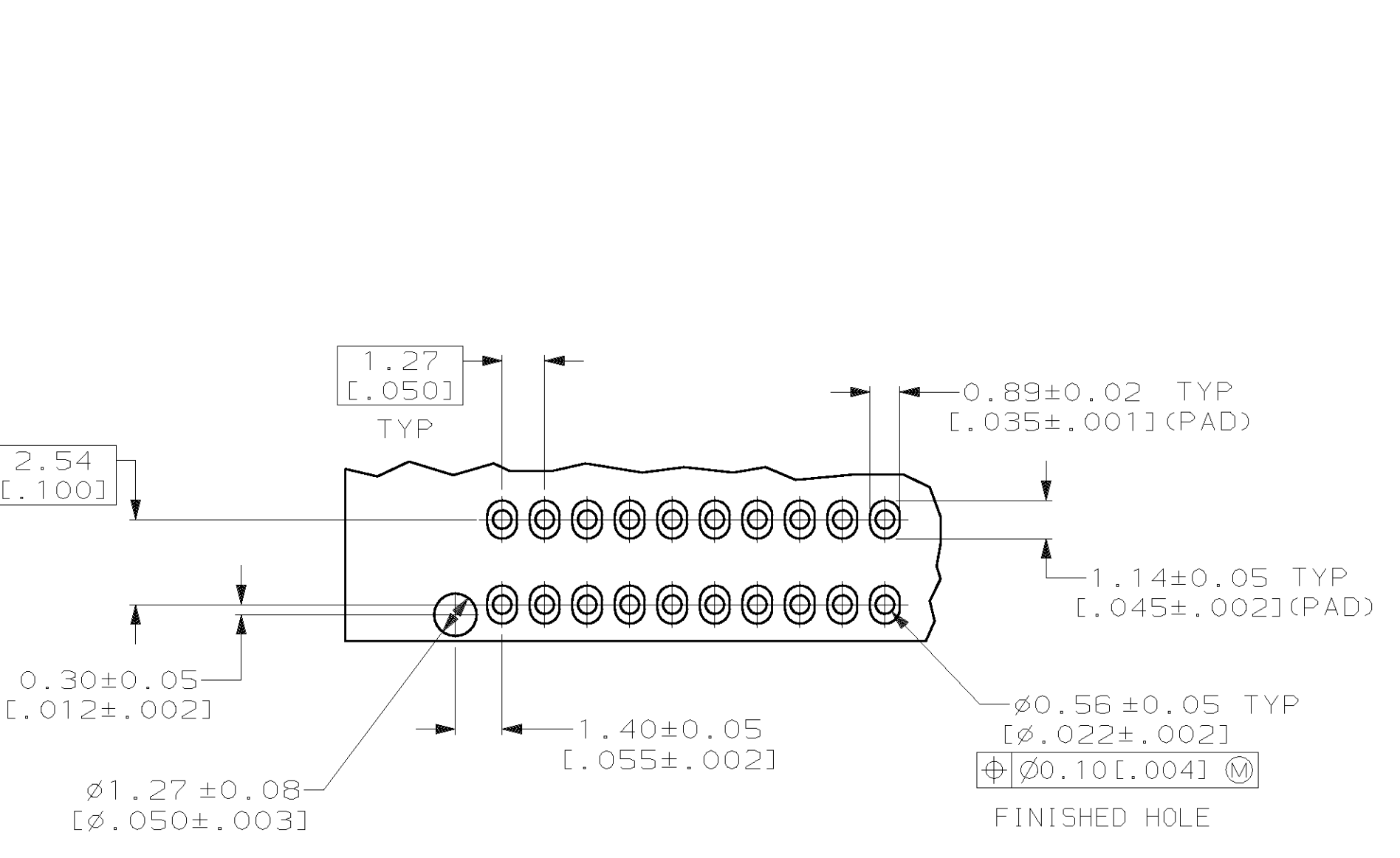
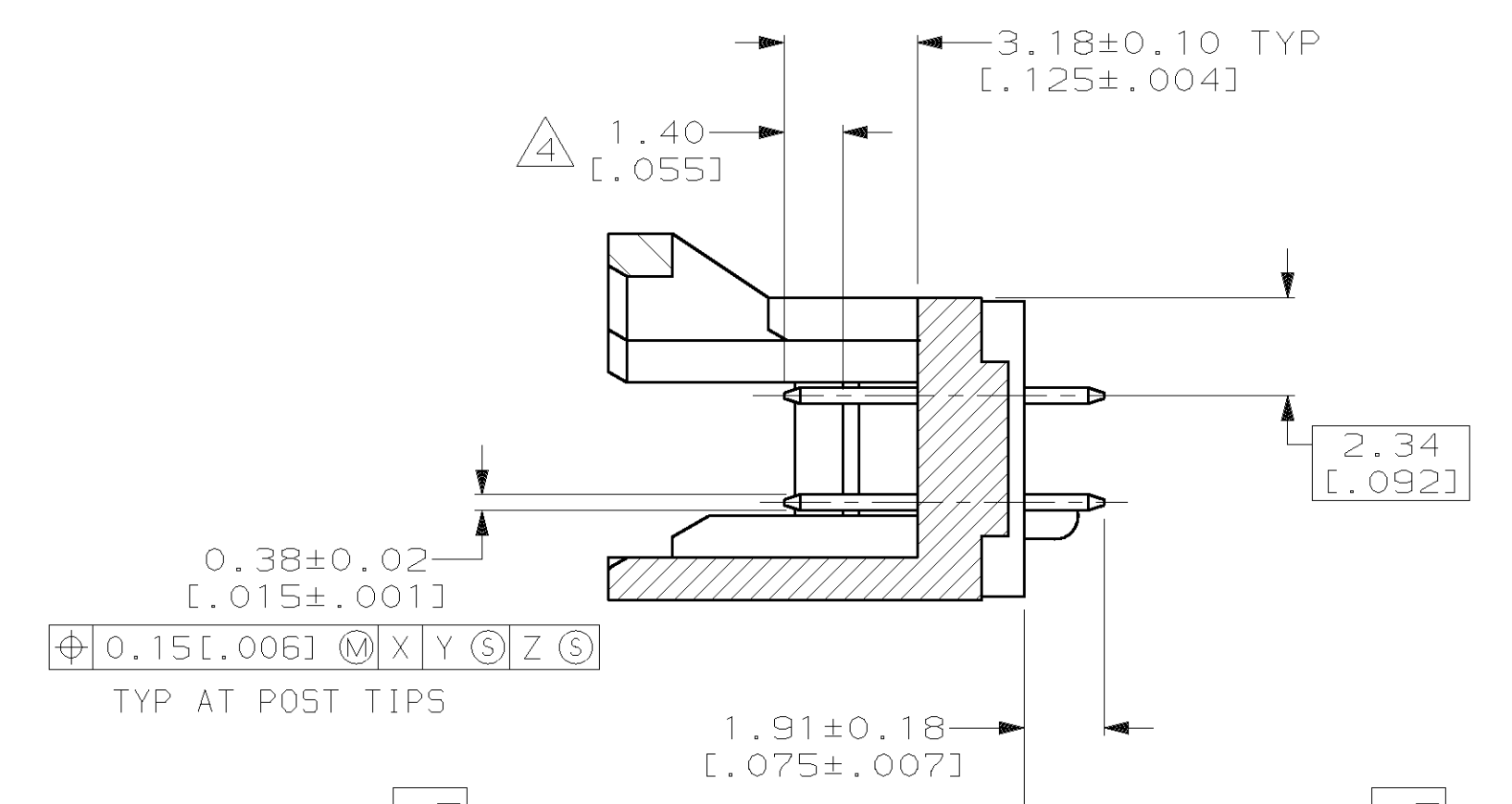
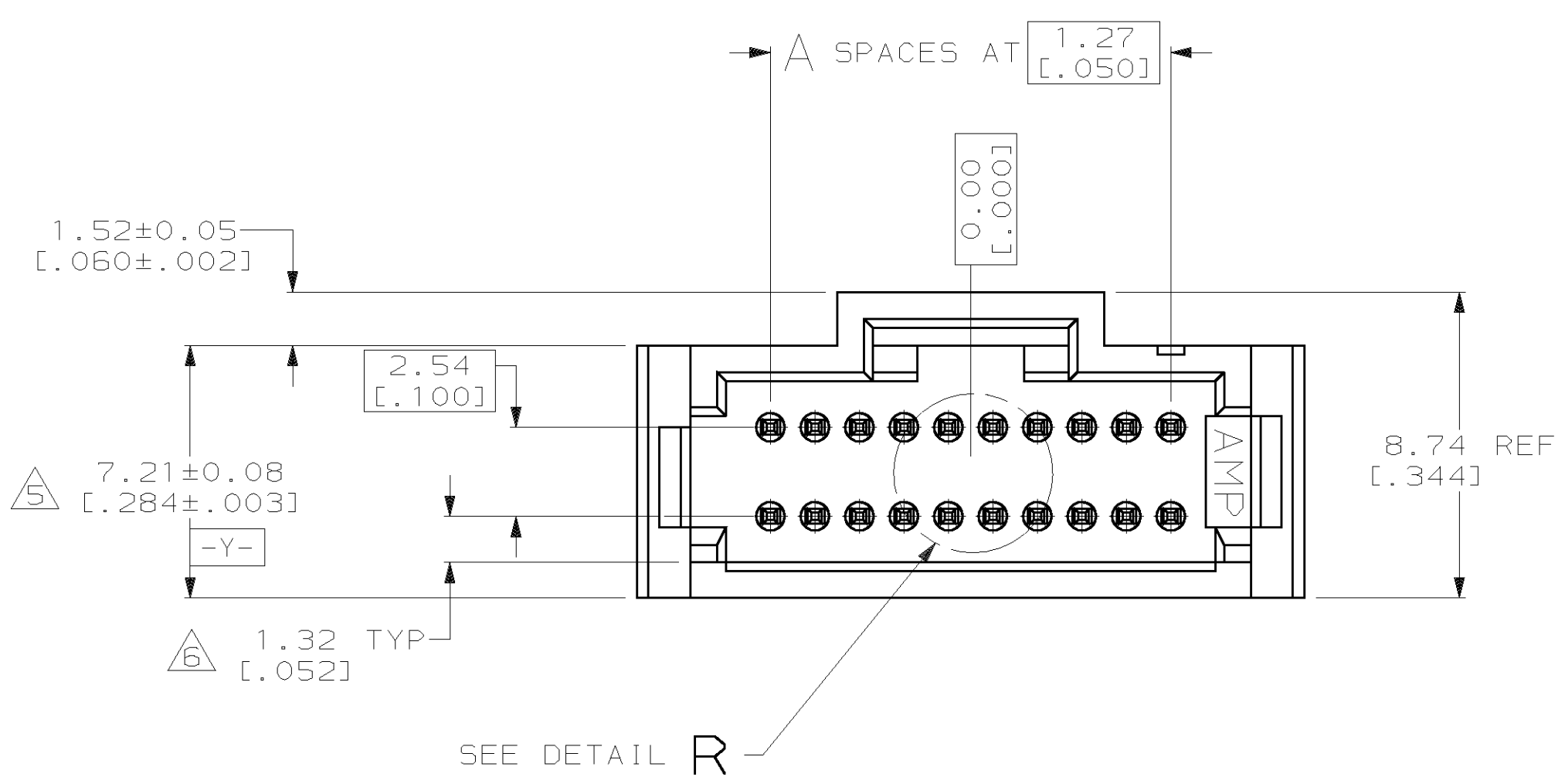


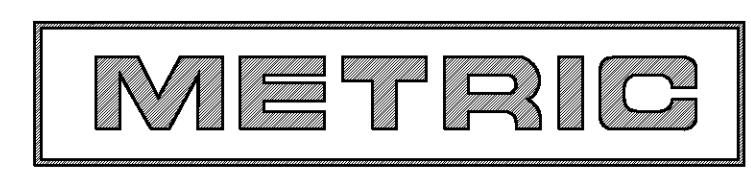
LOC		DIST		REV		REVISIONS		DATE	APPD
AD	39	P	F	ZONE	LTR	DESCRIPTION			
				J		REV PER 063C-0551-04		210CT04	JR/DS



- ① FLAME RETARDANT THERMOPLASTIC, COLOR - BLACK
- ② COPPER ALLOY
- ③ CONTACT AREA PLATED WITH 0.00076[0.000030] MIN GOLD, SOLDER TAILS PLATED WITH 0.00381[0.000150] MIN TIN-LEAD, ALL OVER 0.00127[0.000050] MIN NICKEL
- ④ POINT OF MEASUREMENT FOR PLATING THICKNESS
- ⑤ DIMENSION APPLIES AT BASE OF SHROUD
- ⑥ THE NOTED DIMENSION APPLIES AT THE INTERSECTION OF THE POST AND HOUSING
- ⑦ ③ ④ ARE LOCATED THE SAME AS ① ② EXCEPT ON OPPOSITE SIDE OF HOUSING
- ⑧ SAME AS 104864-1 EXCEPT PACKAGED ON G-PAX REELS.
- ⑨ DIMENSION FOR DIAMETER OF PEG APPLIES AT THE INTERSECTION OF THE TOP OF RIBS AND BASE OF PEG.
- ⑩ CONTACT AREA PLATED WITH 0.00076[0.000030] MIN GOLD, SOLDER TAILS PLATED WITH 0.00381[0.000150] MIN TIN, ALL OVER 0.00127[0.000050] MIN NICKEL



DETAIL R



THIS DRAWING IS A CONTROLLED DOCUMENT FOR AMP INCORPORATED. IT IS SUBJECT TO CHANGE AND THE CONTROLLING ENGINEERING ORGANIZATION SHOULD BE CONTACTED FOR THE LATEST REVISION.

	B	A	NO OF POSN	PART NUMBER
⑩	19.81 [0.780]	12	26	5-104864-5
⑩	22.35 [0.880]	14	30	5-104864-4
⑩	49.02 [1.930]	35	72	5-104864-3
⑩	-	-	-	5-104864-2
⑩	41.40 [1.630]	29	60	5-104864-1
③	19.81 [0.780]	12	26	104864-5
③	22.35 [0.880]	14	30	104864-4
③	49.02 [1.930]	35	72	104864-3
③	-	-	-	104864-2
③	41.40 [1.630]	29	60	104864-1

DO NOT SCALE PRINT. UNLESS SPECIFIED DIMENSIONS IN mm [INCHES]		AMP		PART NO	
TOLERANCES ON:		AMP Incorporated		Harrisburg, PA 17105-3608	
2 PLC DEC ± 0.13[0.005]		NAME		HEADER ASSY, DBL-ROW, VERTICAL SHROUDED W/SIDE & END LATCHES, AMPMODU System 50	
3 PLC DEC ± -		MATERIAL		SIZE	
ANGLES ± -		HOUSING: ①		D 00779	
		CONTACTS: ②		CAGE CODE	
		PRODUCT SPEC		00779	
		APPLICATION SPEC		DRAWING NO	
		SEE TABLE		114-25031	
		WEIGHT		SCALE	
				6:1	
				DRAWING NO	
				104864	
				SHEET	
				1 OF 1	